

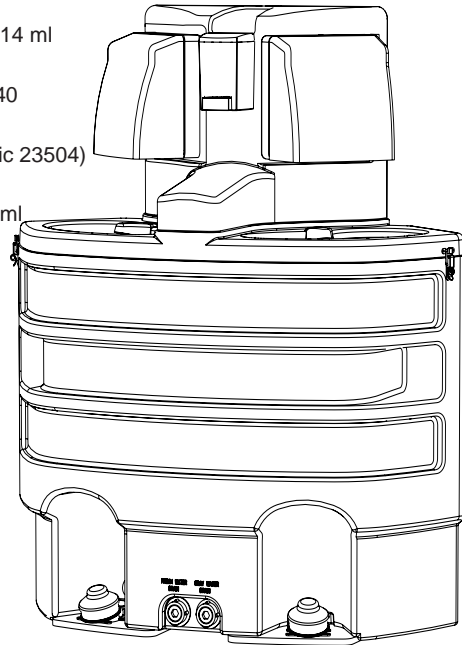
SK3 APPLAUSE 2000

HAND WASH STATION
 PRODUCT INSTRUCTIONS
 TECHNICAL MANUAL

Height	47.5 in	121 cm
Width	50.5 in	128 cm
Depth	21.7 in	55 cm
Weight	80 lb	36 kg
Capacity	60 gal	227 ltr
Pump Capacity (per stroke)	2 fl oz	59.14 ml
Number of Single Dispenses	3840	3840
Paper Towel Capacity	500 (2-Georgia Pacific 23504)	
Soap Dispenser Capacity	30 fl oz	59 ml

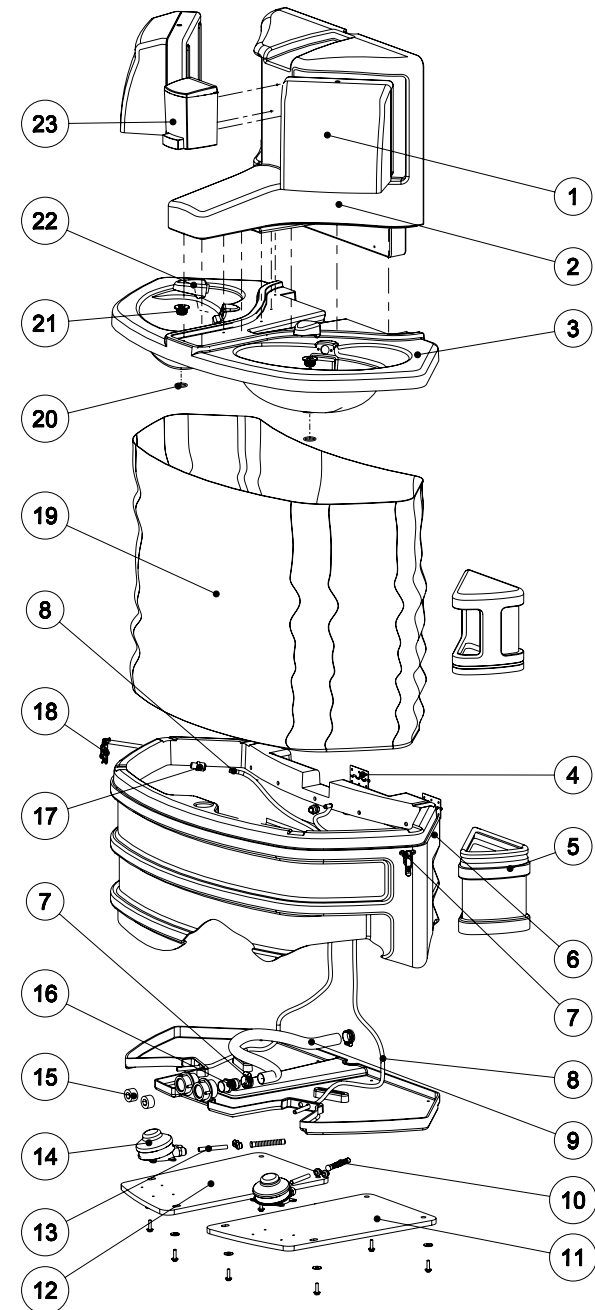
Color Options

- Granite Gray
- Tan



We recommend reading through the entire manual prior to proceeding with service or maintenance. All references to left and right throughout this manual are as viewed from the front.

Parts Drawing - Exploded View

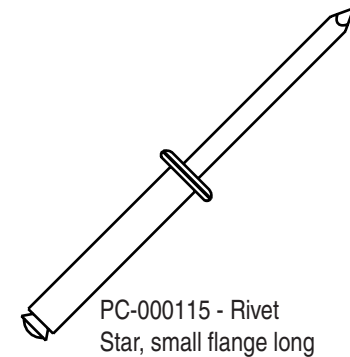
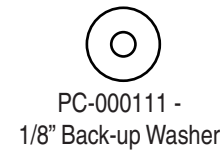
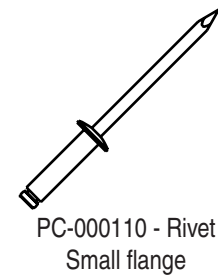
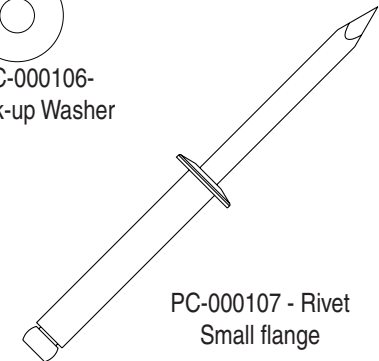
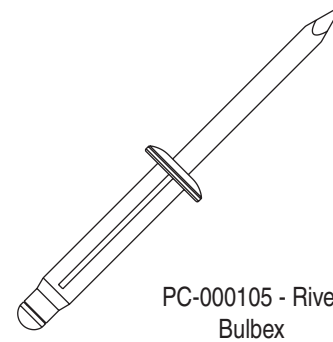
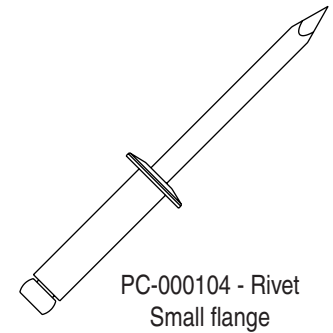
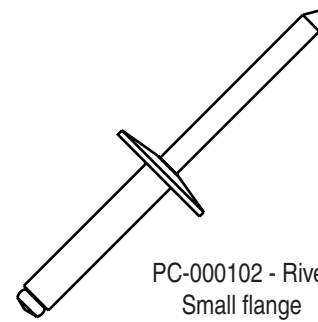


Bill of Materials

Item	Part #	Description	Qty.
1	TD03-0001	Paper Towel Dispenser	2
1a	PC-000105	Bulbex Rivet - Towel Disp. to Tower	8
1b	PC-000106	Washer - Head of Bulbex	8
2	SK3-0023	Dispenser Column	1
2a	PC-000115	Star Rivet - Disp. Column to Bowl	2
2b	PC-000105	Bulbex Rivet - Disp. Column to Bowl	6
3	SK3-0021	Sink Bowl	1
3a	PC-100147	19" Tether	2
3b	PC-000105	Bulbex Rivet - Tether to Sink Bowl	2
3c	PC-000102	Rivet - Tether to Tank	2
3d	PC-000106	Back-up Washer - Tether to Tank	2
4	PC-000172	3" SS Flat Hinge	2
4a	PC-000105	Bulbex Rivet - Hinges to Tower	6
4b	PC-000102	Rivet - Hinges to Tank	6
4c	PC-000106	Back-up Washer - Hinges to Tank	6
5	SK1-0003R	Trash Chute - Right Side	1
5a	PC-000102	Rivet - Chutes to Tank	6
5b	PC-000106	Back-up Washer - Chutes to Tank	6
*	SK1-0003L	Trash Chute - Left Side	1
6	SK3-0020	Main Tank	1
7	PC-000352	#12 Hose Clamp	2
8	CT38-065	3/8" X 65" Tube - Fresh Water to Spigot	2
9	CH100-025	1" X 25" Hose - Bag Drain to Drain Port	1
10	PC-000305	Swirlpool Plastic Filter	2
11	SK1-0002R	Pump Plate - Right Side	1
11a	PC-000168	Flat Washer - 5/16" X 7/8" Plates to Tank	8
11b	PC-000142	Bolt - 1/4-20 X 3/4" hex head Plates to Tank	8
12	SK1-0002L	Base Plate Left	1
13	CT38-005	3/8" X 5" Hose - Fresh Water Intake	2
14	PC-000600	Baby Foot Pump	2
14a	PC-000102	Rivet - Foot Pump to Base Plate	8
14b	PC-000106	Back-up Washer - Foot Pump to Base Plate	8
15	PC-000554	1" Plug - Fresh & Gray Water Drain	2
16	PC-000327	1" Mpt X 1" Barb Plastic Fitting	1
17	PC-000340	3/8" Tube X 3/8" Mpt Male Connector	2
18	PC-000226	Latch w/Catch	2
18a	PC-000110	1/8" Rivet - Latch to Sink Tank & Bowl	8
18b	PC-000111	1/8" Washer - Latch to Sink Tank & Bowl	8
19	SK2-0001	Bag Liner w/Drain	1
19a	PC-000356	Male Snap Fastener - Bag Liner to Tank	14
19b	PC-000110	1/8" Rivet - Snap Fastener to Tank	14
19c	PC-000111	1/8" Washer - Snap Fastener to Tank	14
20	PC-000373	3/4" Npsm Plastic Flange Nut	2
21	PC-000308	Sink Strainer	2
22	PC-000581G	Sink Tap	2
22a	PC-000107	Rivet - Sink Tap to Sink Bowl	4
22b	PC-000106	Back-up Washer - Sink Tap to Sink Bowl	4
23	LS04-0001	Soap Dispenser	1
23a	PC-000105	Bulbex Rivet	3

Items with an alphabetical suffix are not show, but used with that number

Full Size Scale of Fasteners



General Product Overview & Operation Information

This self-contained, stand alone two-station sink features a unique design where fresh water is stored in the main outer tank and gray water is stored in a flexible vinyl liner. When the outer tank is filled with water, the inner liner floats up. When the foot pumps are activated, water drains from the sink bowl strainers into the inner liner that eventually displaces the water in the main outer tank. There are built in recessed handles for transport and a hinged lid allows easy access to internal components. The three ribbed design provides strength and offers space for "strip" advertisements. Two sinks can be placed back-to-back to create a service island. An optional umbrella can be placed between the back-to-back sinks and advertising valence overlays can be attached to the umbrella valences using Velcro, which can be an additional source of revenue from special event sponsors. These sinks are supplied fully assembled from the factory.

Filling with Fresh Water

To open the hinged top you must first remove the top of the trash chute on both sides. Then release the latch locks. Insert a standard 1" garden or similar type hose into the 1-1/4" round fill port under the lid. Fill the sink with a few gallons of fresh water to perform a system check. Depress both foot pumps a few times to "prime" them. The pumps have built in check valves that will hold a prime between uses. The sink is equipped with "weep" holes located at the top of the recessed handles in the sides. Once the tank has reached capacity, fresh water will "weep" from these holes.

Paper Towel Dispensers

These dispensers are designed to accept single or multi fold as well as roll towels. The recommended single fold towel is a Georgia Pacific 23504. When using other towels, be sure the width does not exceed 9-1/2".

Soap Dispensers

See figure 2. Open the soap dispenser by placing your hands on both sides of the dispenser with your thumbs on the front, approximately where the two dots are indicated (the tips of your thumbs should be inline with the gray top, but not on it), push in on the clear plastic while using your thumbs to "pop" the gray lid off. Locate the tab on the mounting plate at the rear of the dispenser, push in on it and slide the dispenser up and off. Fill with 30 fl oz of liquid soap. Refasten it to the mounting plate and snap the lid back on.

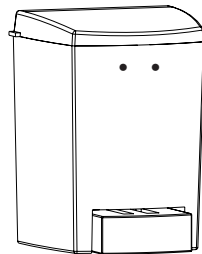


Figure 2

Towel Chutes/Trash Bag Holders

The towel chutes / trash bag holders have a "force-fit" common joint design. The trash bag holder will accept most types of trash bags from 10 to 55 gallon (30 gallon is the most practical). Position the trash bag in the holder and force the chute into position over the holder.

Operation & Maintenance Information

TOOLS REQUIRED FOR MAINTENANCE

- 5/8" Hex-key wrench
- Drill with 13/64" bit
- Rivet Gun
- Standard slotted screw driver
- Channel Locks

Emptying Gray Water

Certain geographical areas prohibit "dumping" of gray water and require it to be properly disposed of. The gray water can be pumped out by lifting the hinged top. There is also a drain port located at the bottom of the sink on the right, which requires a 5/8" hex-key wrench.

Emptying Fresh Water

There is a drain port located at the bottom of the sink on the left, which requires a 5/8" hex-key wrench. The fresh water can also be pumped out by lifting the hinged top and inserting a wand into the 1-1/2" round fill port.

Fresh Water Delivery System

The plumbing system in this sink is simple and requires minimal maintenance. If the system becomes plugged, check the foot pumps first. Depress each foot pump and observe the level of resistance. If there is is resistance and no water is dispensed, there is most likely an obstruction in the tube or at the orifice of the water spigot. If there is no resistance and no water is dispensed, then either *a.*) a tube connection is loose or *b.*) an internal rubber part of the pump needs replacing. We offer two repair kits for the foot pumps.

RK-220600 (includes) - Rubber diaphragm, 2-valve springs, 2-valve seats & 2-valve flaps

RK-220601 (includes) - 4" hose clamp, spring cap & foot spring

Pump Removal

It is not necessary to remove the base plate for pump maintenance. The pumps are fastened to the base plates with four PC-000104 rivets and PC-000106 back-up washers. To remove the pumps, drill out the rivets from the bottom of the sink and disconnect the tubing. Quick disconnect fittings are used throughout the plumbing system. To disconnect the tubing, pull the ring of the fitting toward the fitting stem while at the same time pulling out on the tubing.

Maintenance Information

Spigot Replacement

The spigots are fastened to the sink using two PC-000107 rivets and PC-000106 back-up washers. To replace the spigots, open the hinged lid and from the underside of the bowl, drill out the rivets. Pull out the spigot with the fitting attached and disconnect the tubing. Quick disconnect fittings are used throughout the plumbing system. To disconnect the tubing, pull the ring of the fitting toward the fitting stem while at the same time pulling out on the tubing.

Drain Strainer Replacement

The sink strainers are screwed directly into the sink bowls with 3/4" plastic flange nuts on the underside of the sink bowl. To replace the strainers, open the hinged lid and use channel locks to remove the flange nuts.

Gray Water Bag Replacement

Prior to removing or replacing the bag, be sure the gray water has been completely drained and properly disposed of. Unsnap the fourteen snaps that hold the bag to the sink. Pull the bag up, locate the fitting at the bottom of the bag and disconnect the hose clamp from the drain hose using a standard slotted screwdriver.

Filter Replacement

Prior to removing or replacing the filters, be sure to completely drain the fresh water from the main tank. It will be necessary to drain the gray water bag and pull it up out of the sink. The filter is fitted onto the flexible hose in the bottom of the sink, pull the filter off the hose.

Drain Hose Replacement

To replace the drain hose, it will be necessary to completely drain the sink of all fresh and gray water. Pull the bag up out of the sink and remove the hose clamps from the fitting on the bag and at the bottom of the sink located at the drain port.

IMPORTANT DECAL

Cleaning:

Use a mild soap to clean all surfaces and component parts.

Minor scratches and abrasions can be lightly sanded or scrubbed with a mild abrasive cleaner containing calcium carbonate, hypochlorate bleach and detergents, such as Soft Scrub. Rinse the cleaned area and buff with an automotive paste type wax.

Winterizing:

Drain all water from the sink.

Depress the foot pump to clear lines.

Flush tank with a solution of chlorine and water.

For a source of cleaning, deodorizing and paper products contact: